

Introduction

The Atlona **AT-HDVS-210H-TX-WP** is a 2x1 switcher and HDBaseT transmitter with two HDMI inputs. It features a US one-gang, Decora-style wallplate form factor, and includes interchangeable black and white wallplates and faceplates. Video signals up to 4K/UHD @ 60 Hz with 4:2:0 chroma subsampling, plus embedded audio and control can be transmitted up to 330 feet (100 meters). The HDVS-210H-TX-WP is HDCP 2.2 compliant. It is designed for use with select HDVS Series receivers and scalars, as well as the AT-UHD-EX-100CE-RX-PSE receiver, and Atlona switchers and matrix switchers with HDBaseT inputs. This transmitter can serve as an integral component of a fully automated AV system, with the convenience of automatic input selection and display control. It is remotely powered by the UHD-EX-100CE-RX-PSE or other Atlona HDBaseT-equipped devices through Power over Ethernet (PoE).

Applications

- Complete system applications**
 The HDVS-210H-TX-WP and a compatible HDBaseT receiver provide a compact, yet comprehensive and cost-effective integration solution.
- Larger system applications**
 The HDVS-210H-TX-WP is ideal for extending AV connectivity from a central equipment rack to lecterns as well as remote wall and floor box locations, where presenters can easily access the system.

Key Features

US one-gang enclosure for Decora-style wallplate openings – interchangeable black or white trim kits

- Allows inconspicuous installation on a wall, in furniture, or in a floor box. Includes black and white wallplates and faceplates.
- Meets end user requirements for conveniently accessible yet discreet AV connectivity.

2x1 HDBaseT switcher with HDMI inputs

- Conveniently accepts two HDMI sources in a single-gang enclosure.
- Minimizes wall or surface space for a discreet installation.

HDCP 2.2 compliant

- Adheres to latest specification for High-bandwidth Digital Content Protection.
- Allows protected content stream to pass between authenticated devices.

HDBaseT transmitter for AV, power, and control up to 330 feet (100 meters)

- Uses easy-to-integrate category cable for low-cost, reliable system installation.
- Can easily be mixed and matched with Atlona power sourcing (PSE) receivers and switchers depending on system design requirements.

4K/UHD capability @ 60 Hz with 4:2:0 chroma subsampling

- Compatible with sources up to 4K/60 4:2:0 and 4K/30 4:4:4.
- Allows 4K/UHD transmission when used with a compatible HDBaseT-equipped display or HDBaseT receiver.

Automatic input selection and automatic display control

- Automatically changes display power state, and switches between inputs based on device connection or disconnection from the switcher. Also can be configured to power off display after a period of inactivity.
- Enables effortless, automated system operation without the need for an external control system.

Remotely powered via PoE (Power over Ethernet)

- Power for transmitter is supplied by Atlona receiver or switcher over HDBaseT.
- Saves time and integration costs.

TCP/IP and RS-232 control of switcher

- Flexible control options for compatibility with third-party control systems. TCP/IP control available through a compatible receiver or HDBaseT-equipped switcher.
- Reduces integration time and costs.

Award-winning 10 year limited product warranty

- Ensures long-term product reliability and performance in residential and commercial systems.
- Specify, purchase, and install with confidence.

Specifications

Video	
UHD/HD/SD	4096×2160@24/25/30/50 ⁽¹⁾ /60Hz ⁽¹⁾ , 3840×2160@24/25/30/50*/60Hz ⁽¹⁾ , 2048×1080p, 1080p@23.98/24/25/29.97/30/50/59.94/60Hz, 1080i@50/59.94/60Hz, 720p@50/59.94/60Hz, 576p, 576i, 480p, 480i
VESA	2560×2048, 2560×1600, 2048×1536, 1920×1200, 1680×1050, 1600×1200, 1600×900, 1440×900, 1400×1050, 1366×768, 1360×768, 1280×1024, 1280×800 1280×768, 1152×768, 1024×768, 800×600, 640×480
Color Space	YUV, RGB
Chroma Subsampling	4:4:4, 4:2:2, 4:2:0
Color Depth	8-bit, 10-bit, 12-bit

Audio	
HDMI IN / HDBaseT Out	PCM 2Ch, LPCM 5.1, LPCM 7.1, Dolby® Digital, DTS® 5.1, Dolby Digital Plus, Dolby TrueHD, DTS-HD Master Audio™
Sample Rate	32kHz, 44.1kHz, 48kHz, 88.2kHz, 96kHz, 176.4kHz, 192kHz
Bit Rate	24-bit (max.)

Resolution / Distance	4K/UHD - Feet / Meters		1080p - Feet / Meters	
HDMI	15	5	30	10
CAT5e / CAT6a	230	70	330	100
CAT6a / CAT7	330	100	330	100

Signal	
Bandwidth	10.2 Gbps
CEC	Yes
HDCP	2.2

Temperature	Fahrenheit	Celsius
Operating	32 to 104	0 to 40
Storage	-4 to 140	-20 to 60
Humidity (RH)	20% to 90%, non-condensing	

Dimensions	Inches	Millimeters
H x W x D	4.07 in x 1.80 in x 2.63 in	103.50 mm x 45.80 mm x 67.00 mm

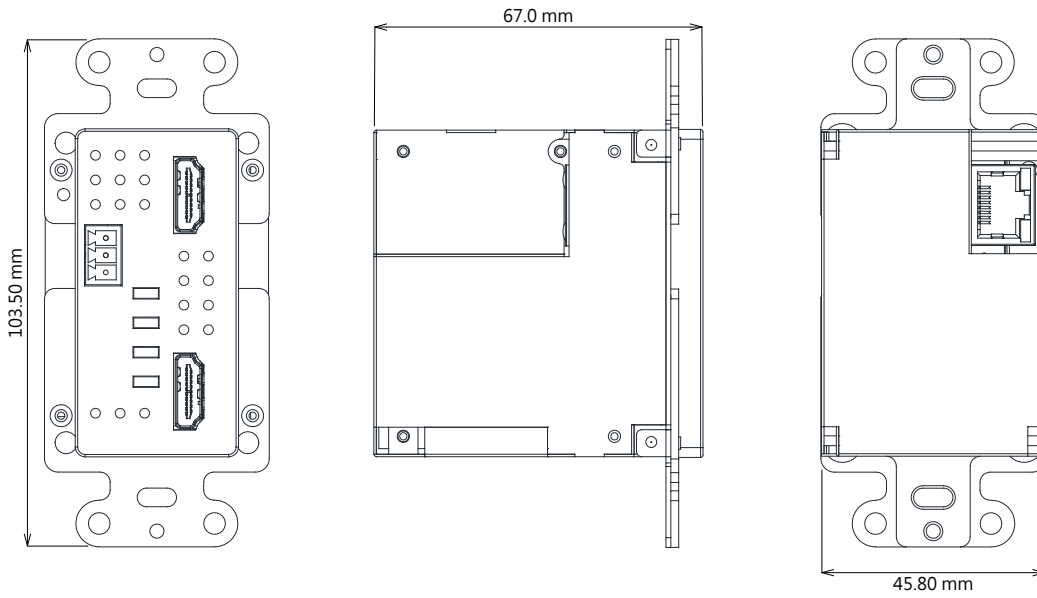
Weight	Pounds	Kilograms
Device	0.40	0.18

Certification	
Device	CE, FCC

Warranty	
Device	To view the product warranty, use the following link: https://atlonacom/warranty

(1) 4096×2160@50/60Hz & 3840×2160@50/60Hz supported @ chroma subsampling 4:2:0 8-bit only.

Drawings



Copyright, Trademark, and Registration

© 2024 Atlona Inc. All rights reserved. "Atlona" and the Atlona logo are registered trademarks of Atlona Inc. Pricing, specifications and availability subject to change without notice. Actual products, product images, and online product images may vary from images shown here.



The terms HDMI, HDMI High-Definition Multimedia Interface, HDMI trade dress and the HDMI Logos are trademarks or registered trademarks of HDMI Licensing Administrator, Inc.



Dolby, Dolby Atmos, and the double-D symbol are registered trademarks of Dolby Laboratories Licensing Corporation.



For DTS patents, see <http://patents.dts.com>. Manufactured under license from DTS, Inc. DTS, the Symbol, DTS and the Symbol together, and Digital Surround are registered trademarks and/or trademarks of DTS, Inc. in the United States and/or other countries. © DTS, Inc. All Rights Reserved.

All other trademark(s), copyright(s), and registered technologies mentioned in this document are the properties of their respective owner(s).